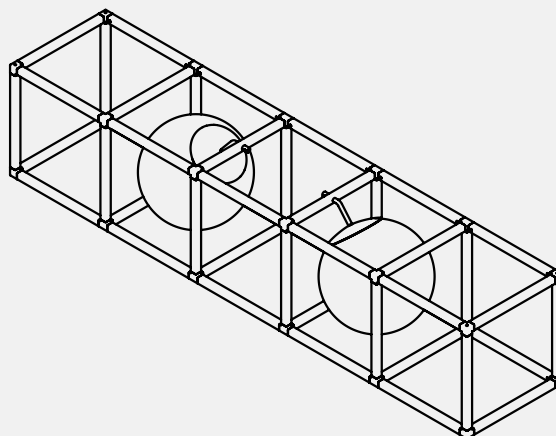


Rich Brilliant Willing



Shown: RGW-4

Witt 4

Designer

David Rockwell

Year Designed

2016

Description

Chandelier

Country of Manufacture

USA

Materials

Steel frame, satin opal globes

Certification



Product Codes SKU

RGW-4

*for 220V input append -220 to SKU

Lamping

2 x 8.5W LED

2700K typ. CCT

630 Lumen source min 80 CRI

Specifications

17 Watt

120V Input 50/60Hz (US & CAN)

220V Input 50/60Hz (Optional)

1000 Lumens delivered

Dimming

Triac Dimming 10-100%

Recommended Wall Switch

Lutron DVCL-153P

Dimensions

67 x 14 x 14 in H

1711 x 360 x 360 cm H

Product Weight

45 lb. / 20.4 kg.

Cord Length

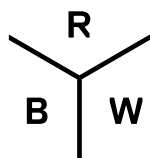
72in / 1829mm

Custom length available

Suspension

4 x 1.2mm braided steel cable

Canopy - 5" / 127 mm



triode³ design

28, rue Jacob 75006 Paris

+33 (0)1 43 29 40 05

contact@triodedesign.com

www.triodedesign.com